

Atwell Round Table

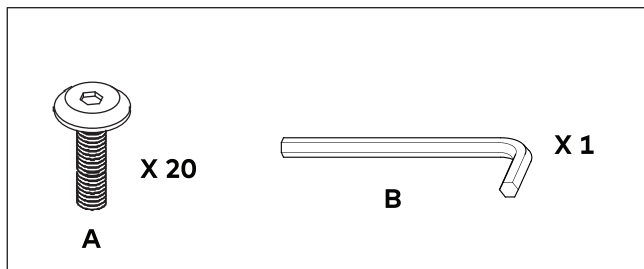
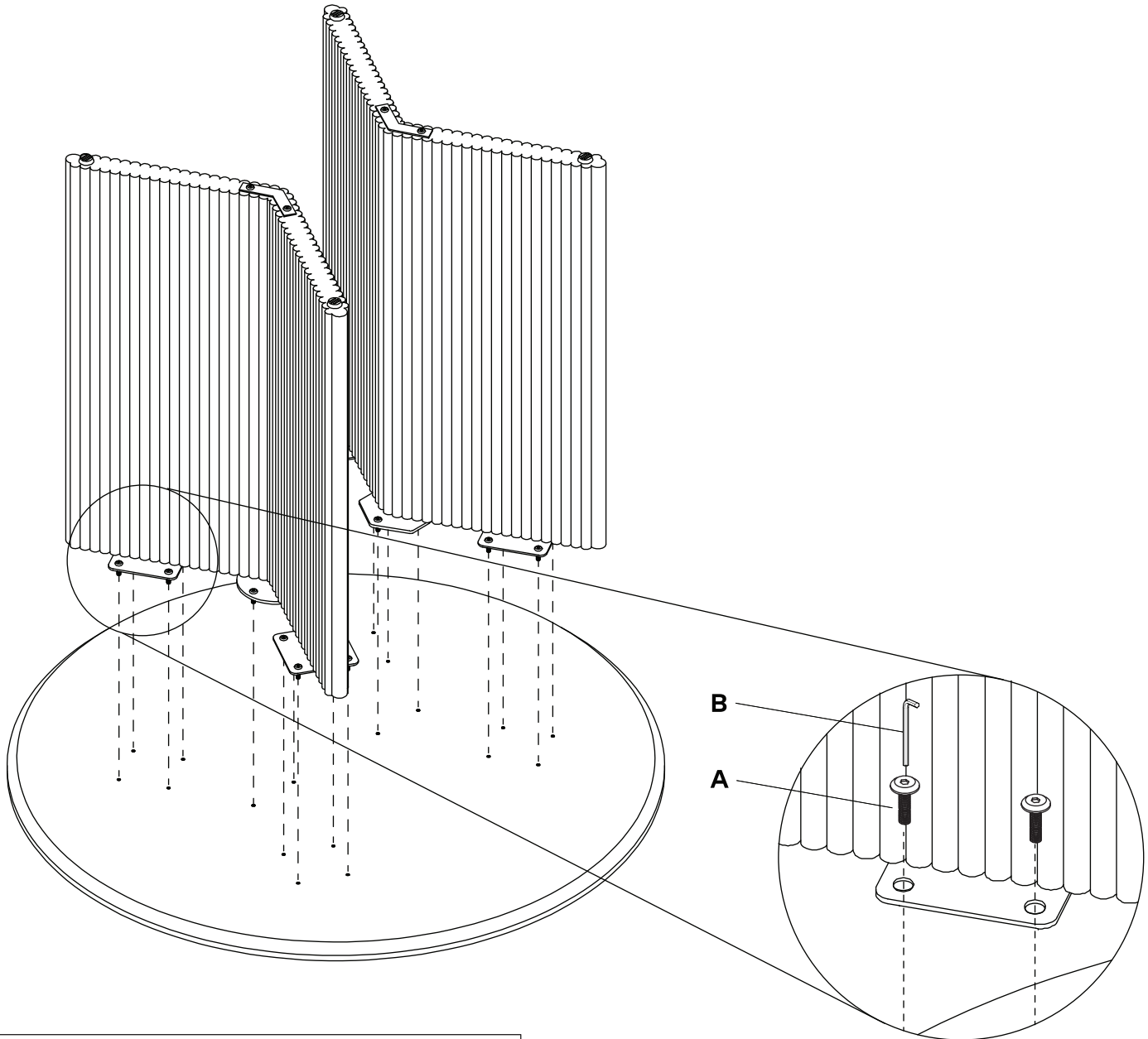
ASSEMBLY INSTRUCTIONS

KEEP ALL PACKAGING MATERIALS UNTIL YOU HAVE VERIFIED ALL COMPONENTS AND PARTS

1. Gently rest the table top upside down on to a clean flat surface.
2. Secure the legs to the table top with the provided fasteners (A) and Allan wrench (B)

Clean all surfaces with a damp, soft cloth. Do not use abrasive cleaners.

DEPENDING ON USE, IT MAY BE NECESSARY TO TIGHTEN THE SCREWS PERIODICALLY TO MAXIMIZE THE STABILITY OF THE TABLE BASE.



Modern furniture made simple.